

# LD型电动单梁起重机

LD Model Motor-driven Single Beam Crane

# LD型电动单梁起重机

LD Model Motor-driven Single Beam Crane

## 简介 A Brief Introduction

LD型电动单梁起重机具有结构合理，整机刚性强的特点。整机与CD<sub>1</sub>型、MD<sub>1</sub>型电动葫芦配套使用，是一种轻小型的起重机械。其起重量为1t-20t。跨度为7.5-28.5m，工作级别为A3-A4，工作温度为-25℃~40℃。

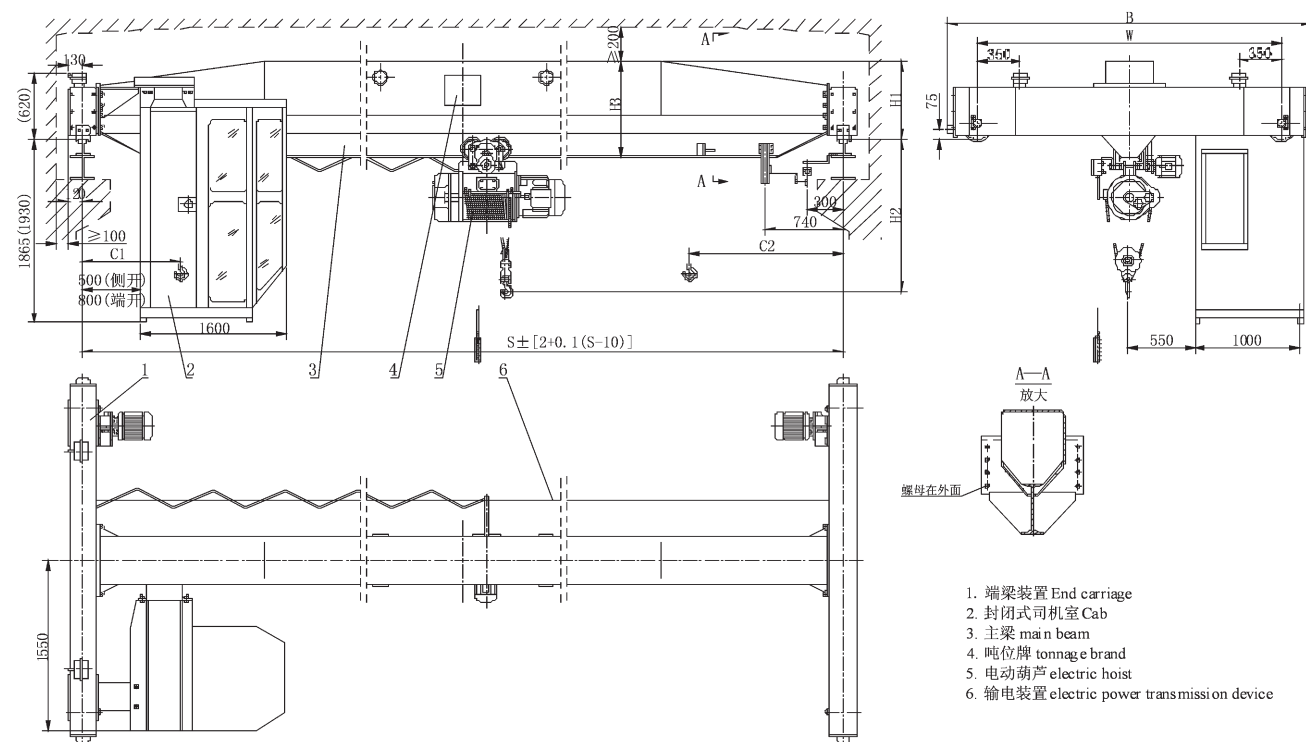
本产品广泛用于工厂、仓库、料场等不同场合吊运货物，禁止在易燃、易爆、腐蚀性介质环境中使用。本产品设有地面和操纵室两种操作形式。操纵室有开式、闭式两种，可根据实际情况分别为左或右面安装两种形式，入门方向有侧面及端面两种，以满足用户在各种不同需要的情况下进行选择。

LD model single beam motor crane is characterized by more reasonable structure and higher strength steel as a whole, Used together with CD<sub>1</sub> model MD<sub>1</sub> model electric hoist as a complete set, it is light duty crane with a capacity of 1 to 20 tons. The span is 7.5-28.5m. Working grade is A3-A4. Working temperature is -25.c to 40.c.

This product is widely used in plants, warehouses, material stocks to lift goods. It is prohibited to use the equipment in the combustible, explosive or corrosive environment.

This product has two operational methods, ground or operational room which has open model and closed model and can be installed on left or right side according to the practical situation. And the direction of entering the gate has two forms, sideway and ends in order to satisfy the users, choice under different conditions.

## 简图 Sketch



外形结构图 (安装有司机室) Exterior structure diagram (with operation room)

## 技术参数 Main Technical Data

起重机运行机构 crane travelling mechanism	运动速度m/min travelling speed	20	30	(室room)45	(室room)60	
	速比speed ratio	58.95	39.42	26.51	19.44	
	电动机 Motor	型号 type	锥形鼠笼cone squirrel-cage		锥形绕线cone winding thread	
		功率(kW)power	0.8×2、1.5×2、2.2×2		1.5×2、2.1×2	
转速(r/min) rotational speed		1380		1350		
起升机构(电动葫芦)及运行机构 (electric hoist)& electric hoist travelling mechanism	电动葫芦型式 model of electric hoist	MD <sub>1</sub> 型 model		CD <sub>1</sub> 型 model		
	起升速度(m/min) lifting speed	8/0.8、7/0.7、3.5/0.35		8、7、3.5		
	起升高度H(m) lifting height	6、9、12、18、24、30				
	运动速度(m/min) travelling speed	20、30				
电动机motor		锥形鼠笼型cone squirrel-cage model				
工作制度 working system		中级intermediate Jc=25%				
电 源 electric current		380V 50Hz three-phase				
车轮直径 wheel diameter		Φ 270、Φ 400				
轨道面宽 width of trail		37~70				

吨位 (t)	跨度 (m) S	整车总重 (G)t 地面操作	最大轮压 Rmax (kN)	最小轮压 Rmin (kN)	踏面至主梁顶 H1	踏面至钩中心 H2	主梁总高 H3	端梁轮距 W	端梁总长 B	吊钩左极限 C1	吊钩右极限 C2
1	7.5	1.67	8.9	3.9	490	910	550	2000	2500	796	1274
	8	1.72	9.1	4.0							
	8.5	1.77	9.2	4.1							
	9	1.81	9.4	4.3							
	9.5	1.86	9.5	4.4							
	10	1.91	9.7	4.5							
	10.5	1.96	9.8	4.6							
	11	1.95	9.8	4.6							
	11.5	2.00	10.0	4.7							
	12	2.05	10.1	4.8							
	12.5	2.09	10.2	4.9							
	13	2.14	10.4	5.0							
	13.5	2.19	10.5	5.2							
	14	2.24	10.6	5.3							
	14.5	2.43	11.1	5.8							
	15	2.48	11.3	5.9							
	15.5	2.53	11.4	6.0							
	16	2.58	11.5	6.1							
16.5	2.63	11.7	6.3								
17	2.66	11.7	6.3								
17.5	2.85	12.2	6.8								
18	2.90	12.4	6.9								
18.5	2.96	12.5	7.1								
					530		650		3000		



中国驰名商标

中国机械百强



卫华集团 WEIHUA CRANE